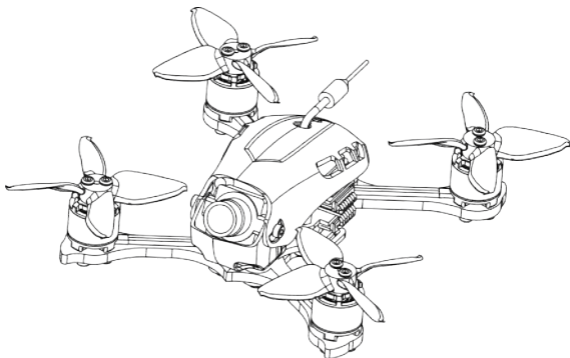




Babyhawk Race User Manual



Thanks for purchasing the Babyhawk Race. Please follow the instruction manual to assemble and configure your Babyhawk Race.

After completing the instruction manual, use the configurator GUI to configure flight controller settings for the Babyhawk Race. Please refer to this link to learn more:

<http://www.yinyanmodel.com/en/DownList.asp>

EMAX

Disclaimer

Please read the disclaimer carefully before using this product. By using this product, you hereby agree to this disclaimer and signify that you have read them carefully and completely. This product is not suitable for people under the age of 18. Adult supervision is highly recommended for kids under the age of 18.

Our Babyhawk Race features open-source flight controller and Electronic Speed Controllers to meet the FPV enthusiasts' need to upgrade their quad. Please read the instruction manual and warnings carefully. Before every flight, make sure the battery is fully charged and power connections are secure. DO NOT fly around crowds, children, animals or objects. EMAX ACCEPTS NO LIABILITY FOR DAMAGE(S) OR INJURIES INCURRED DIRECTLY OR INDIRECTLY FROM THE USE OF THIS PRODUCT.

Precautions

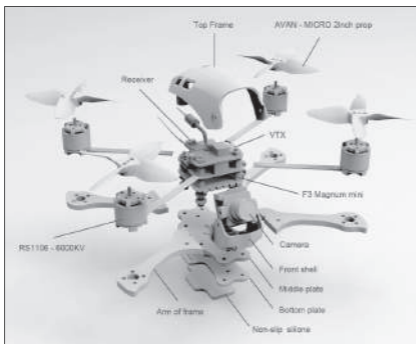
1. Please follow the instructions to assemble and to operate this product in a proper way.
2. Pilots do not use this product if you have physical or mental illness, dizziness, fatigued, or use while under the influence of alcohol or drugs.
3. Please fly in a safe area away from people.
4. Do not modify or use other parts and accessories not approved for the use of EMAX.
5. Do not use this product in harsh environments (such as winds, rain, lightning, snow, etc.).
6. Do not use this product in a strong electromagnetic environment.

Product specification

Version	Babyhawk R 2inch Propeller	Babyhawk R 3inch Propeller
Diagonal Wheelbase (without propeller)	112mm	136mm
Maximum size of Drone (Without antenna, cable)	162mm	207mm
Propeller	AVAN-MICRO 2 inch	3030 propeller
Drone weight (Without battery)	82.8g	92.5g
F3 Magnum	F3 Magnum (OMNIBUS firmware) Bullet 12A (BLHeli_S) 4IN1 ESC	
Motor	RS1106-6000KV	
Camera	Foxeer Micro Arrow CCD Camera	
VTX	25-200MW adjustable frequency 40CH	
Receiver(Optional)	EMAX Tiny receiver (Compatible with Frsky D8 mode)	

Product List

1. BabyHawk Race × 1
2. Manual ×1
3. AVAN-MICRO 2 inch Propeller ×2 or 3030 Propeller ×2
4. Screw pack×1
5. Camera adjusting board×1



VTX frequency chart

1.Entry / Exit menu

- (1) Press 5 seconds to enter menu.
- (2) Press 5 seconds again to exit menu.

2.Selection menu

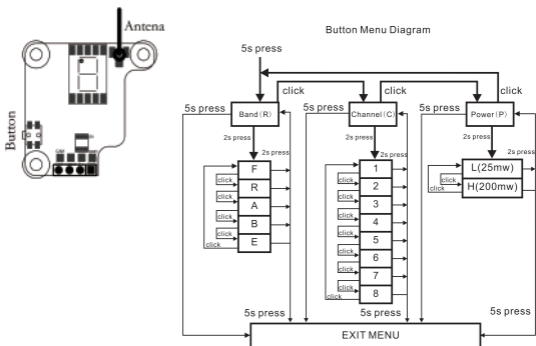
After entering the menu,click the button to switch the band(R)/channel(C)/power(P).

3.Entry / Exit parameters

- (1) After selecting the menu, press 2 seconds to enter the parameter selection.
- (2) Press 2 seconds again to exit the parameter selection and go back to the menu option.
- (3) Press 5 seconds to exit menu directly.

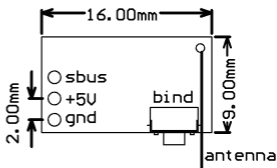
4.Selection parameter

When you enter the parameter, click the button to select parameters.



FR	CH	CH1	CH2	CH3	CH4	CH5	CH6	CH7	CH8	
F		5740	5760	5780	5800	5820	5840	5860	5880	MHz
R		5658	5695	5732	5769	5806	5843	5880	5917	MHz
A		5865	5845	5825	5805	5785	5765	5745	5725	MHz
B		5733	5752	5771	5790	5809	5828	5847	5866	MHz
E		5705	5685	5665	5645	5885	5905	5925	5845	MHz

EMAX Tiny Receiver Instruction



Specifications

Dimension: 16 × 9 × 3.3mm (L × W × H)

Weight: 0.55g

Number of Channels: Up to 8CH from SBUS (CH1~CH7 for PWM, CH8 RSSI for FC)

Operating Voltage Range: 3.7~6V

Operating Current: 50mA@5V

Compatibility: FrSky D8 mode

Binding Procedure

Binding is the process of uniquely associating a particular receiver to a transmitter module. A transmitter module can be bound to multiple receivers (not to be used simultaneously). A receiver can only be bound to one transmitter module.

1. Holding the bind button while power on the receiver. When the GREEN LED is on, it means the receiver is in BIND MODE

2. Turn on the transmitter, set it into bind status. When the RED LED of the receiver starts flashing, it means bind successful.

3. Turn on the transmitter again, the GREEN LED receiver will be on, it means the receiver is receiving data from transmitter. Transmitter bind with receiver no need repetitive operation, unless you change either receiver or transmitter.

F3 Magnum Mini Tower Instruction

The FC and ESCs of Babyhawk_Race are based on F3 Magnum Mini Tower System. Please download the manual as the following link <http://yinyanmodel.com/En/Down-List.asp> in our website for more details and information.

Thank you for purchasing our product!

Enjoy your fly with EMAX.

www.emaxmodel.com

www.emax-USA.com



Warning:

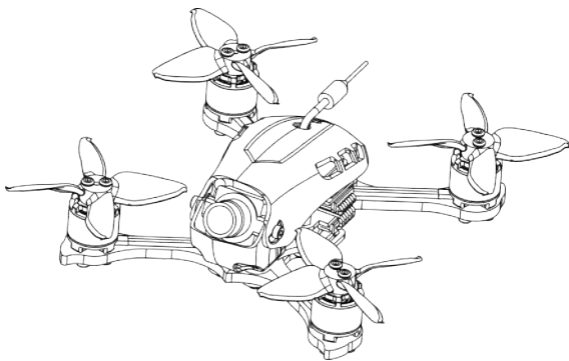
REMINDER! Please pay attention to safety of your surrounding.

Not recommended for persons under 18 years of age!

We wish you happy flying!

BABY HAWK R

Babyhawk Race 使用手册



感谢您购买本产品,请严格按照本手册的要求对您的飞行器进行安装和调试。

本手册需要与调参软件配合使用,更多详情请参考调参说明。需要升级及进阶的用户请

参考资料链接:“<http://www.yinyanmodel.com/ch/DownList.asp>”

EMAX

免责声明

用户在使用本产品前,请认真阅读本声明,一旦使用本产品,即视为对本声明全部内容的认可与接受。未满18周岁的未成年人不适合使用本产品。

本产品是专门为爱好者进行FPV穿越飞行而设计的一款多旋翼飞行器,使用开源的飞控固件和电调固件,满足中高级用户的不断升级及进阶。具有自身姿态稳定、反应灵敏、机动灵活的特点,根据用户使用配置和参数设置的不同,即可进行小空间的穿越探索飞行,还可以进行急速暴力的3D飞行。因此,在使用本产品时,请认真阅读使用说明书及注意事项,飞行时确保供电系统良好和接线正确,并远离人群(不小于2500平方米范围),如造成人生伤害,财产损失等(直接或间接损害),我司不承担任何民事及法律责任。

注意事项

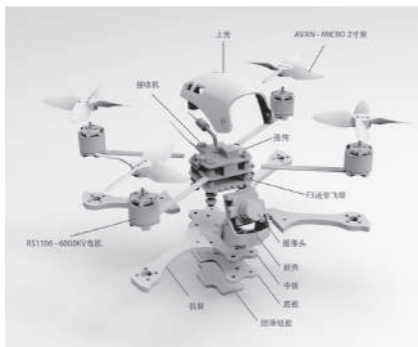
1. 请按说明书正确指引组装和操作本产品。
2. 飞行员不要在喝酒,吸毒,药物麻醉,头晕,乏力等身体或精神状态不佳的情况下使用本产品。
3. 一定要在安全领域进行飞行(不小于2500平方米范围)。
4. 不要自行改装和超配置要求使用其他零件和配件。
5. 不要在恶劣环境下(如大风、雨天,闪电,下雪等)使用本产品。
6. 不要在电磁强的环境下使用本产品。

产品规格

尺寸与重量	版本	Babyhawk R 2寸桨	Babyhawk R 3寸桨
对角轴距 (不含桨)		112mm	136mm
飞机最大外观尺寸 (不含天线,扎带)		162mm	207mm
螺旋桨		AVAN-MICRO 2寸桨	3030 桨
飞机重量 (不含电池)		82.8g	92.5g
飞塔		F3 Magnum (OMNIBUS固件) Bullet 12A(BLHeli_S)4合1	
电机		RS1106 6000KV	
摄像头		Foxeer mirco Arrow CCD摄像头	
图传		25-200MW可调频率40CH	
接收机 (选配)		EMAX Tiny接收机 (兼容Frsky遥控器D8模式)	

产品清单

1. BabyHawk Race 整机 × 1
2. 说明书 ×1
3. AVAN-MICRO 2寸桨 × 2对或3030桨 × 2对
4. 螺丝包×1
5. 摄像头调参板×1
6. Foxeer Mirco Arrow摄像头调参板×1



图传发射频点对照表

1. 进入/退出菜单

- (1) 长按5秒进入菜单。
- (2) 再次长按5秒退出菜单。

2. 选择菜单

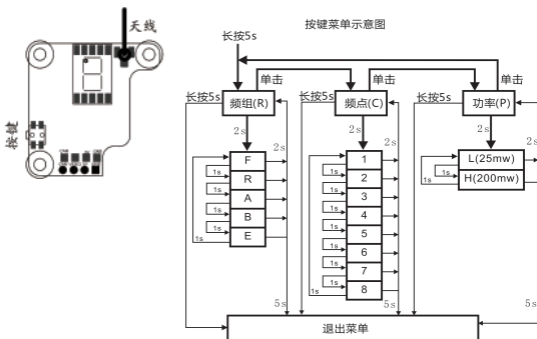
进入菜单后，单击按键切换频组(R)/频点(C)/功率(P)。

3. 进入/退出参数

- (1) 选中菜单后，长按2秒进入参数选择。
- (2) 再次长按2秒退出参数选择并回到菜单选项。
- (3) 长按5秒直接退出菜单。

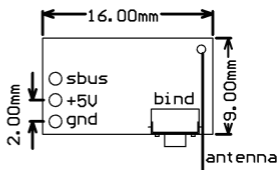
4. 选择参数

进入参数后，单击按键选择参数。



FR \ CH	CH1	CH2	CH3	CH4	CH5	CH6	CH7	CH8	
F	5740	5760	5780	5800	5820	5840	5860	5880	MHz
R	5658	5695	5732	5769	5806	5843	5880	5917	MHz
A	5865	5845	5825	5805	5785	5765	5745	5725	MHz
B	5733	5752	5771	5790	5809	5828	5847	5866	MHz
E	5705	5685	5665	5645	5885	5905	5925	5845	MHz

EMAX Tiny 接收机使用说明



产品信息：

尺寸：16 × 9 × 3.3mm (长 × 宽 × 高)

重量：0.55g

通道数：SBUS口最大8通道输出 (1-7通道为信号输出，通道8为飞控RSSI信号)

电压范围：3.7-6V

电流：50mA@5V

兼容：FrSky D8模式

对码过程：

对码就是将一个接收机和一个遥控器连接在一起的过程。一个接收机只能绑定一个遥控器，一个遥控器能绑定多个接收机。

- 1、按住接收机的bind键，再给接收机上电。绿灯长亮表示已经进入对码状态。
- 2、使遥控器进入对码状态，当接收机的红灯闪烁时，表示对码成功。
- 3、接收机重新上电，并且使遥控器退出对码状态，如果绿灯亮则说明接收机已经收到遥控器的数据。

遥控器与接收机之间的对码不需要重复操作，除非您更换了其中任意一件产品。

飞塔使用说明

本产品飞控使用的是基于F3 Magnum mini硬件

有关F3 Magnum mini飞控的更多详情请到 ["http://yinyanmodel.com/En/Down-List.asp"](http://yinyanmodel.com/En/Down-List.asp) 进行下载查看。

感谢您使用银燕产品!

如需配件,请至银燕官方淘宝购买



微信公众号



 **警示:**

再次提醒,一定注意飞行周围安全,年满18岁以下人员严禁使用!
预祝您飞行愉快!